

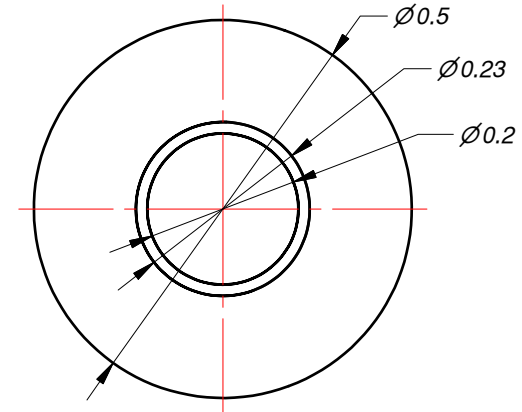
ZLHWF - STANDARD NYLON JACKET HARD POLYMER FIBERS

- NOTES:
1. HERAEUS INFRASIL 301 ROAD .
 2. EXCELLENT TRANSMISSION IN THE RANGE 400-1600 NM.
 3. HIGH POWER LASER TRANSMISSION.
 4. STRESS PROOF LOAD 100KPSI.
 5. OPERATION TEMPERATURE FROM -40°C TO +100°C

ACTIVE DIAMETER FROM 100 TO 500 [MICRONS]	ACTIVE DIAMETER FROM 500 TO 1000 [MICRONS]	ACTIVE DIAMETER MORE THEN 1000 [MICRONS]
ZLHWF200/230N//500	ZLHWF600/630N//1040	ZLHWF1000/1035N//1400
ZLHWF300/330N//650	ZLHWF800/830N//1240	ZLHWF1000/1070N//1400
ZLHWF400/430N//630		
ZLHWF400/430N//730		

OTHER FIBER DIMENSION AVAILABLE ON REQUEST.
PLEASE CONTACT US FOR DISCUSSIONS.

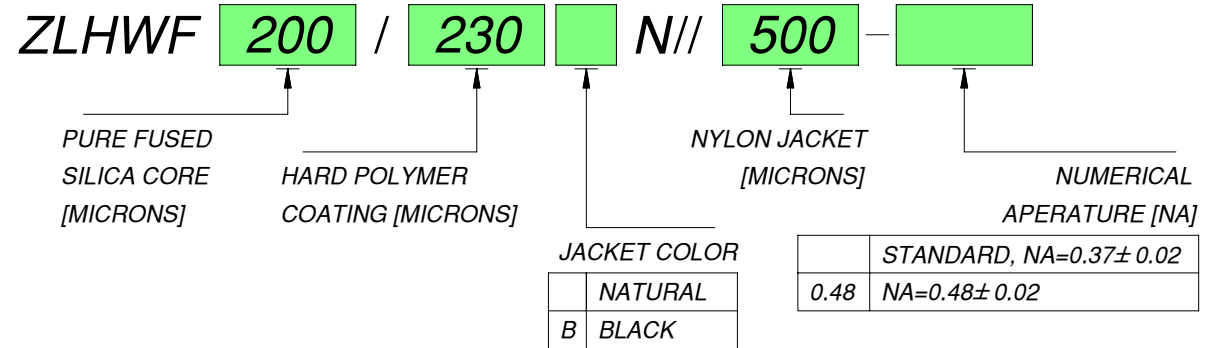
VIEW A
FIBER CONSTRUCTION
EXAMPLE: ZLHWF200/230N//500



QUANTITIES IN METERS (ON REQUEST)

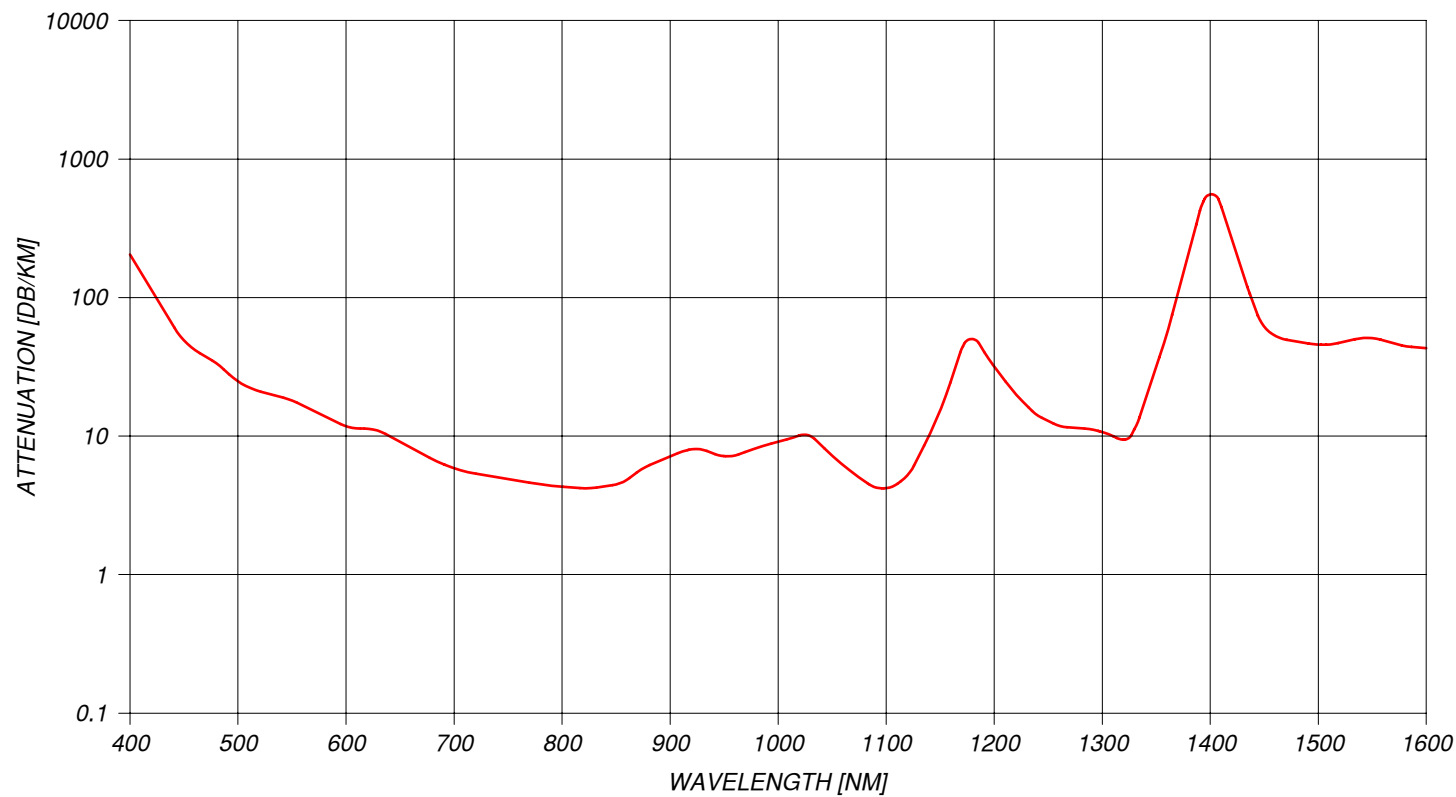


FIBER CODE EXPLANATION



OTHER FIBER DIMENSION AVAILABLE ON REQUEST.
PLEASE CONTACT US FOR DISCUSSIONS.

TYPICAL FIBER ATTENUATION



TITLE: **ZLHWF - NYLON JACKET
HARD POLYMER FIBERS**

SIZE: A3	DRAWING NO.: ZLHWF-001-00	REV.: A
FILE NAME: ZLHWF-NYLON.idw	ITEM NO.:	
COMPANY: Z-LIGHT, LTD.	CODE NO.:	
HOME PAGE: HTTP://WWW.Z-LIGHT.LV	ORDER NO.:	
SCALE: DO NOT SCALE	DIMENSIONS ARE IN MM	SHEET 1 OF 1