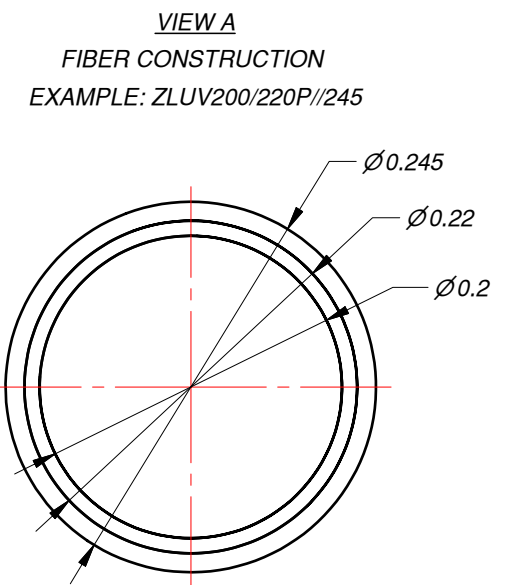
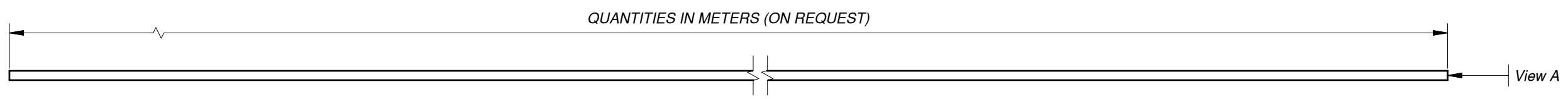


ZLUV - STANDARD POLYIMIDE JACKET SILICA/SILICA FIBERS		
CORE/CLADDING RATIO 1.07	CORE/CLADDING RATIO 1.1	CORE/CLADDING RATIO 1.2
ZLUV93/100P//107	ZLUV50/557P//65	ZLUV50/60P//70
ZLUV100/107P//120	ZLUV90/100P//107	ZLUV84/100P//107
ZLUV187/200P//220	ZLUV100/110P//125	ZLUV200/240P//265
ZLUV280/300P//325	ZLUV150/165P//185	ZLUV320/385P//415
ZLUV300/321P//350	ZLUV200/220P//245	
ZLUV400/428P//455	ZLUV300/330P//360	
	ZLUV400/440P//470	
	ZLUV600/660P//690	

- NOTES:
1. HERAEUS FLUOSIL® SSU PREFORM.
 2. EXCELLENT TRANSMISSION IN THE RANGE 180-1200 NM.
 3. HIGH POWER LASER TRANSMISSION.
 4. STRESS PROOF LOAD 70KPSI.
 5. OPERATION TEMPERATURE FROM -190°C TO +390°C



OTHER FIBER DIMENSION AVAILABLE ON REQUEST.
PLEASE CONTACT US FOR DISCUSSIONS.



FIBER CODE EXPLANATION

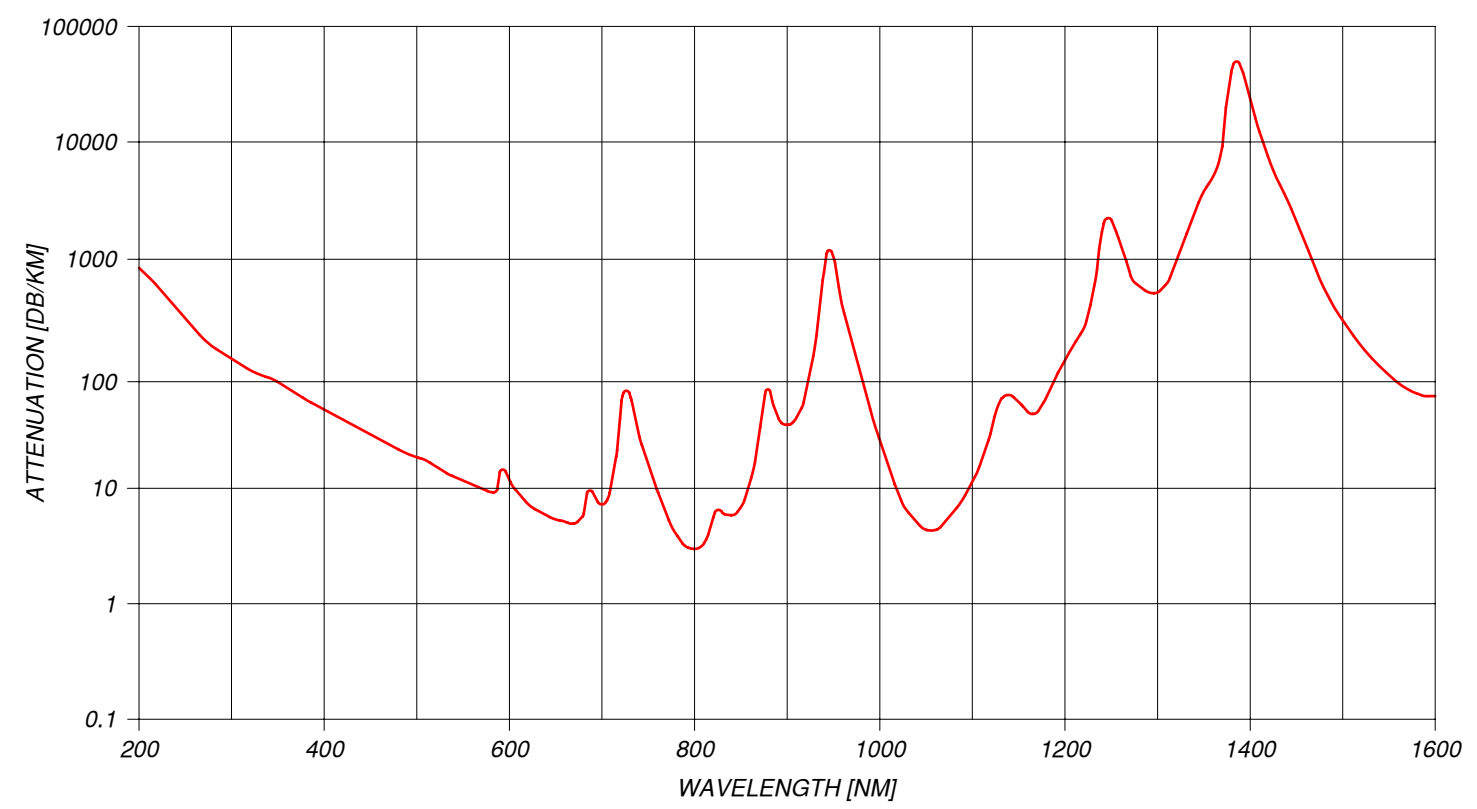
ZLUV **200** / **220** P// **245** -

PURE FUSED SILICA CORE [MICRONS] FLUORINE DOPED FUSED SILICA CLADDING [MICRONS] POLYIMIDE JACKET [MICRONS] NUMERICAL APERATURE [NA]

	STANDARD, NA=0.22± 0.02
0.26	HIGH NA, NA=0.26± 0.02
LNA	LOW NA, ON REQUEST

OTHER FIBER DIMENSION AVAILABLE ON REQUEST.
PLEASE CONTACT US FOR DISCUSSIONS.

TYPICAL FIBER ATTENUATION



TITLE: **ZLUV - POLYIMIDE JACKET SILICA/SILICA FIBERS**

SIZE: A3	DRAWING NO.: ZLUV-001-00	REV.: A
FILE NAME: ZLUV-POLYIMIDE.idw	ITEM NO.:	
COMPANY: Z-LIGHT, LTD.	CODE NO.:	
HOME PAGE: HTTP://WWW.Z-LIGHT.LV	ORDER NO.:	
SCALE: DO NOT SCALE	DIMENSIONS ARE IN MM	SHEET 1 OF 1